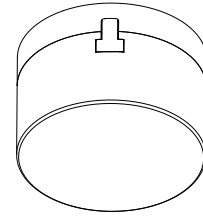




Assembly and Installation Instructions for Model's

30001FM



CAUTION - RISK OF FIRE

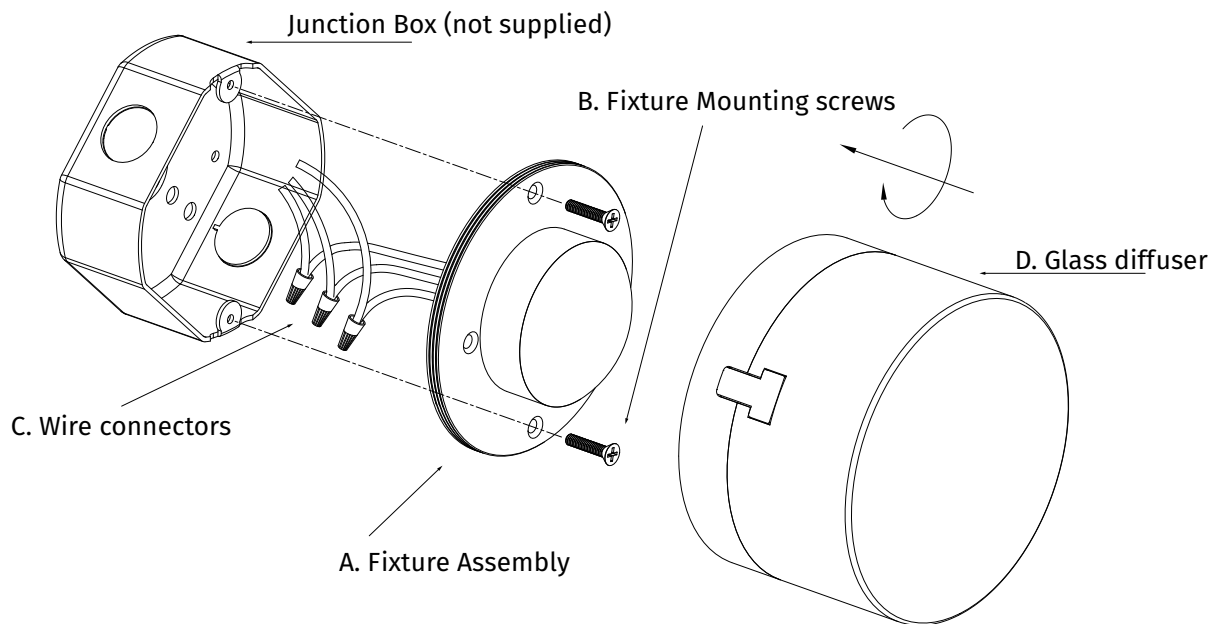
Installation of this fixture should be done by a licensed electrician or by a person familiar with local electrical codes and the construction and operation of this fixture.

Warning please make sure the electrical breaker is shut off before commencing with this installation

Read and familiarize yourself with these instructions before commencing

This fixture is certified for ceiling or wall mounting and is suitable for Wet locations and dimmable with a Triac Dimmer

The fixture uses a 120v A/C LED panel which is supplied with a clear glass cover plate, no driver required



| Package Contents | | |
|------------------|-------------------------|-----|
| Part | Description | Qty |
| A | Fixture assembly | 1 |
| B | Fixture mounting screws | 2 |
| C | Wire connectors | 3 |
| D | Glass diffuser | 1 |

Installing the fixture *please ensure the electrical breaker is switched off before commencing*

- 1 Connect the supply wires to the fixture wires using the supplied electrical wire connectors (E). White supply wire to the White fixture wire, Black supply wire to Black fixture wire and the ground Bare Copper or Green wire to the Green fixture wire. Once the electrical wire connectors are securely fastened it is recommended to tape these connectors with electrical tape.
- 2 Attach the Fixture assembly (A) with the two supplied Mounting screws (B) to the Junction Box.
- 3 Gently screw the Glass diffuser (D) onto the fixture assembly
- 5 Switch on the electrical breaker switch and your new fixture is ready for many years of trouble free use